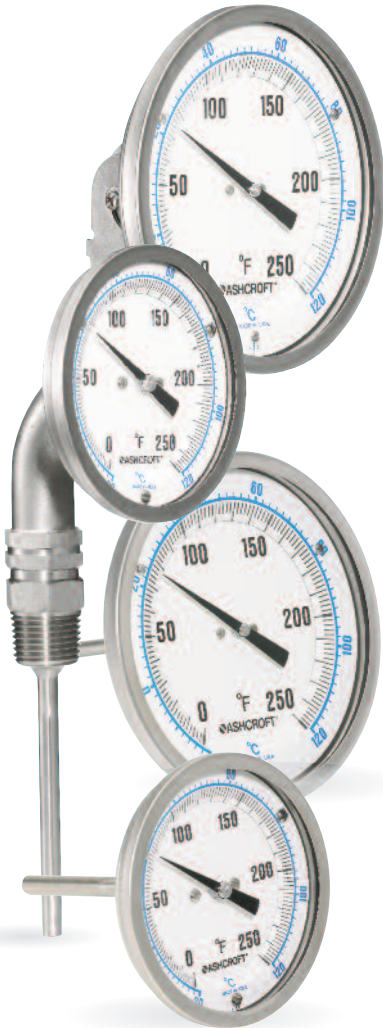


EI Series Bimetal Thermometers



FEATURES

- 1% full span accuracy ASME B40.200 (ASME B40.3 Grade A)
- Maximum ambient temp. is 200°F (94°C)
- Hermetically sealed case to prevent entry of moisture, interior corrosion and coil freeze-up.
- External adjustment permits zero reset from outside the case.
- Maxivision® dial allows readability from any angle without parallax error.
- Silicone coil dampening (up to 400°F) provides vibration dampening and improves response time.
- All-welded stainless steel construction
- Heavy-Duty glass lens
- Protection NEMA 4X/IP66
- Five year limited warranty



SPECIFICATIONS

Ashcroft® Series:	EI																								
Dial Sizes:	2", 3", 5"																								
Stem Length:	2½"-24" (1)																								
Case & Stem:	304 stainless steel, hermetically sealed																								
Stem Dia:	.250"																								
Window:	Heavy-duty glass, plastic or shatter-proof glass optional																								
Dial:	Maxivision®, black figures on white background																								
Pointer:	Black																								
Connection:	Plain, pointed plain, ¼ NPT, ½ NPT, ½ NPT union																								
Connection Location:	Everyangle™, Lower, Rear																								
Ranges:	-80/120°F-200/1000°F -50/50°C-100/500°C																								
Options:	<table border="0"> <tr> <td>Code Description</td> <td></td> </tr> <tr> <td>C4</td> <td>Individual calibration cert.</td> </tr> <tr> <td>XCS</td> <td>Dual scale⁽²⁾</td> </tr> <tr> <td>XDM</td> <td>Dial marking</td> </tr> <tr> <td>XNH</td> <td>Stainless steel tag</td> </tr> <tr> <td>XNN</td> <td>Paper tag</td> </tr> <tr> <td>XPD</td> <td>Plastic window</td> </tr> <tr> <td>XSG</td> <td>Shatter proof glass</td> </tr> <tr> <td>X3B</td> <td>¾" stem dia. with ½ NPT</td> </tr> <tr> <td>X02</td> <td>¼ NPT when ½ NPT is standard</td> </tr> <tr> <td>XS1</td> <td>Silicone free</td> </tr> <tr> <td>XYW</td> <td>316SS Housing⁽⁴⁾ and stem</td> </tr> </table>	Code Description		C4	Individual calibration cert.	XCS	Dual scale ⁽²⁾	XDM	Dial marking	XNH	Stainless steel tag	XNN	Paper tag	XPD	Plastic window	XSG	Shatter proof glass	X3B	¾" stem dia. with ½ NPT	X02	¼ NPT when ½ NPT is standard	XS1	Silicone free	XYW	316SS Housing ⁽⁴⁾ and stem
Code Description																									
C4	Individual calibration cert.																								
XCS	Dual scale ⁽²⁾																								
XDM	Dial marking																								
XNH	Stainless steel tag																								
XNN	Paper tag																								
XPD	Plastic window																								
XSG	Shatter proof glass																								
X3B	¾" stem dia. with ½ NPT																								
X02	¼ NPT when ½ NPT is standard																								
XS1	Silicone free																								
XYW	316SS Housing ⁽⁴⁾ and stem																								

- (1) Special or longer length available, consult factory
 (2) Dual scale available with 3" and 5" case only
 (3) Only available on rear connection
 (4) Only available on 5" Everyangle™ with 60" connection

Thermowells must be used on all pressure or velocity applications, to protect the stem of thermometer from corrosion and physical damage, and to facilitate removal of the thermometer without disturbing the process. Maximum ambient temperature is 200°F (95°C).

HOW TO ORDER

30 EI 60 R 040 0/250°F XNH

Dial Size: 3" Code 30 _____

Case Style: EI _____

Stem Connection: ½ NPT Code 60 _____

Stem Location: Rear Code R _____

Stem Length: 4" Code 040 _____

Range: Code 0/250°F _____

Options: Stainless steel tag _____

EI Series Bimetal Thermometers

EI Series selection table																		
Case	Size	Dial Code	Style Code	Stem			Stem Lengths Available "S"		Temperature Range									
				Conn.	Code	Location	Code	Length (inches)	Code	°F* Fahrenheit	% Div.	Fig. Inter.	°C Celsius	% Div.	Fig. Inter.			
2"	20			Plain	40	Rear	R	2½	025	-80/120	2	20	-50/50	1	10			
				Pointed	50					-20/120††			-20/120			2	20	
				½ NPT	60					30/130††			0/50††			1	5	
3"	30			½ NPT Union	42	Everyangle	E	4	040	0/200	20	50	10/150	2	20			
				½ NPT	60					0/200			0/100			1	10	
				½ NPT	60	Rear	R	6	060	12	120	50/300	5	50	0/200	5	50	
				½ NPT	60	Lower	L	9	090						0/250			0/300††
				½ NPT Union	42	Everyangle	E	15	150						50/400			50/450**††
5"	50			½ NPT	60	Rear	R	18	180	200/700†	10	100	100/500**†	10	100			
				½ NPT	60					Lower			L			24	240	100/800†

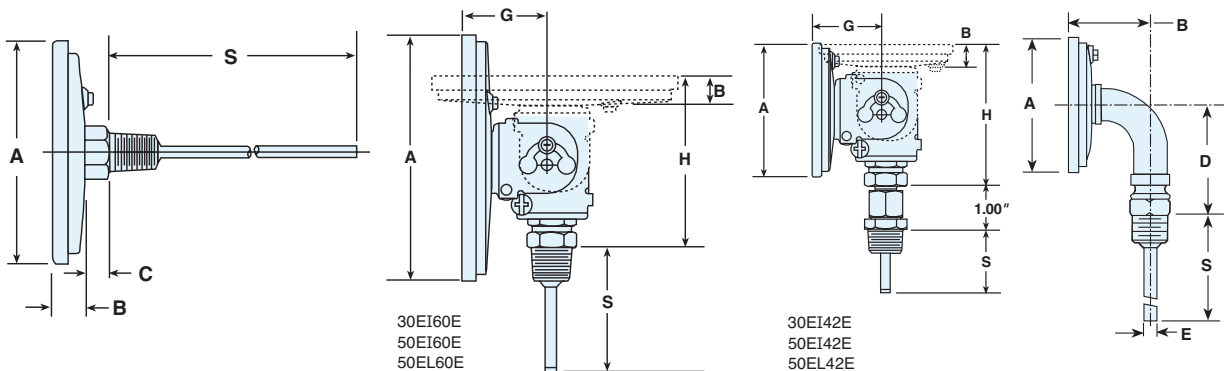
CONTACT FACTORY FOR ADDITIONAL STEM LENGTHS AND RANGES NOT LISTED

EI Dimensions													
Case Series	Dial Size	Connection Location	A	B	C	D	E	G	H	S	NPT	Hex	Weight in ounces ⁽³⁾
EI	2"	Rear (Plain)	2½ ₍₅₃₎	¾ ₍₁₀₎	¾ ₍₈₎	-	-	-	-	-(2)	-	1¼ ₍₆₎	4½
EI	2"	Rear (Plain, pointed stem)	2½ ₍₅₃₎	¾ ₍₁₀₎	¾ ₍₈₎	-	-	-	-	-(2)	-	1¼ ₍₆₎	4½
EI	2"	Rear (Threaded)	2½ ₍₅₃₎	¾ ₍₁₀₎	¾ ₍₈₎	-	-	-	-	-(2)	¼	1¼ ₍₆₎	4½
EI	3"	Rear	3½ ₍₈₀₎	1½ ₍₁₅₎	¾ ₍₈₎	-	-	-	-	-(2)	½	¾	7
EI	3"	Lower	3½ ₍₈₀₎	1½ ₍₁₅₎	¾ ₍₈₎	2½ ₍₆₇₎	¼ ₍₆₎	-	-	-(2)	½	¾	11
EI	3"	Everyangle	3½ ₍₈₀₎	1½ ₍₁₅₎	¾ ₍₈₎	-	-	1½ ₍₄₂₎	3½ ₍₈₉₎	-(2)	½	¾	10
EI	5"	Rear	5½ ₍₁₂₈₎	2½ ₍₁₈₎	¾ ₍₈₎	-	-	-	-	-(2)	½	¾	16
EI	5"	Lower	5½ ₍₁₂₈₎	2½ ₍₁₈₎	¾ ₍₈₎	3½ ₍₉₂₎	¼ ₍₆₎	-	-	-(2)	½	¾	26
EI	5"	Everyangle	5½ ₍₁₂₈₎	2½ ₍₁₈₎	¾ ₍₈₎	-	-	1½ ₍₄₈₎	3½ ₍₉₃₎	-(2)	½	¾	25

ΩΩΩΩΩΩΩΩ

- Figures in parenthesis () are in millimeters. All other dimensions are in inches.
- Standard "S" dimensions are 2½, 4, 6, 9, 12, 15, 18 and 24 inches. Standard stem diameter is ¼ inch.
- Add 1 oz. for every 2 inches of stem length.

DIMENSIONS



EI Series dual scale ranges

Dual scales are available in 3" and 5" dial sizes in the following ranges:

Inner	Outer
-80/120°F	and -60/50°C
-40/120°F	and -40/50°C
-40/160°F	and -40/70°C
-20/120°F	and -30/50°C††
0/200°F	and -20/90°C
0/250°F	and -20/120°C
30/130°F	and 0/55°C††
50/300°F	and 10/150°C
50/400°F	and 10/200°C
50/550°F	and 10/290°C
100/800°F	and 50/400°C†
200/700°F	and 100/370°C†
200/1000°F	and 100/550°C**†

Overtemperature limits

Top of Range °F	Maximum Over Temperature ΩΩ
up to 250	100% of span
251/550	50% of span
551/1000	800°F **

*Dual scale ranges available for all standard °F ranges (3" and 5" case only)

**Satisfactory for continuous service up to 800°F or 425°C. Can be used for intermittent service from 800 to 1000°F, or 425 to 500°C. Use Ashcroft Duratemp® thermometers for ranges above and below those listed above.

†Minimum stem length for these ranges is 4".

††Minimum stem length for lower connection and Everyangle is 4".